

HW 90 B 10 / 12



Static three-wheel roller

- ▶ Two ergonomic driver's seats
- ▶ Hydrostatic traction drive
- ▶ 2 weight classes: 10-12 t, able to handle 12-14 t
- ▶ Ideal load distribution between front and rear drums
- ▶ Pressured sprinkler system
- ▶ Larger water tank with 400 l - extensive operating time
- ▶ 4-cylinder turbo motor
- ▶ Large number of options



TECHNICAL DATA

HW 90B/10

HW 90B/12

| Weights | | | |
|-----------------------------------|-------|---------------------------|---------------------------|
| Operating weight | kg | 10670 | 12465 |
| Maximum weight | kg | 14000 | 16000 |
| Axle load, front/rear | kg | 4090/6580 | 5115/7350 |
| Static linear load, front/rear | kg/cm | 37,2/53,9 | 46,5/60,2 |
| Machine dimensions | | | |
| Max. working width | mm | 2020 | 2020 |
| Turning radius, inside | mm | 2365 | 2365 |
| Diesel engine | | | |
| Manufacturer | | DEUTZ | DEUTZ |
| Type | | TD 2011 L04 I | TD 2011 L04 I |
| Number of cylinders | | 4 | 4 |
| Power rat. ISO 14396, kW/PS/rpm | | 56,5/76,8/2500 | 56,5/76,8/2500 |
| Power rating SAE J1349, kW/HP/rpm | | 56,5/75,7/2500 | 56,5/75,7/2500 |
| Drive | | | |
| Hydrostatic drive, front/rear | | -/planetary gear | -/planetary gear |
| Speed, infinitely variable | km/h | 0-10,2 | 0-10,2 |
| Climbing ability, with/no ballast | % | 25/40 | 25/40 |
| Steering | | | |
| Steering, type | | Pivot steering, front | Pivot steering, front |
| Steering, actuation | | hydrostatic, steer. wheel | hydrostatic, steer. wheel |
| Steering lock +/- | Grad | 40 | 40 |
| Oscillation angle +/- | Grad | 8 | 8 |
| Brake system | | | |
| Service brake, mode of action | | hydrostatic | hydrostatic |
| Service brake, actuation | | Drive lever | Drive lever |
| Parking brake, mode of action | | Spring-loaded/mechanical | Spring-loaded/mechanical |
| Parking brake, actuation | | electr. a. autom. | electr. a. autom. |
| Emergency brake, mode of action | | hydr./mech. | hydr./mech. |
| Emergency brake, actuation | | Emergency stop | Emergency stop |
| Sprinkler system | | | |
| Water sprinkler, type | | Pressure | Pressure |
| Actuation, sprinkling | | interval/manual | interval/manual |
| Water tank, capacity | Ltr. | 400 | 400 |

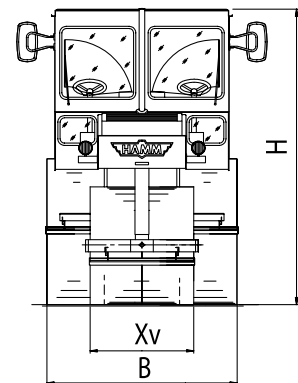
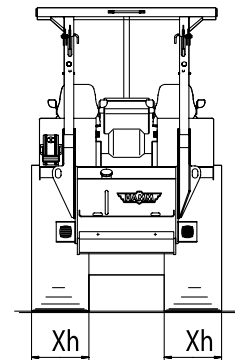
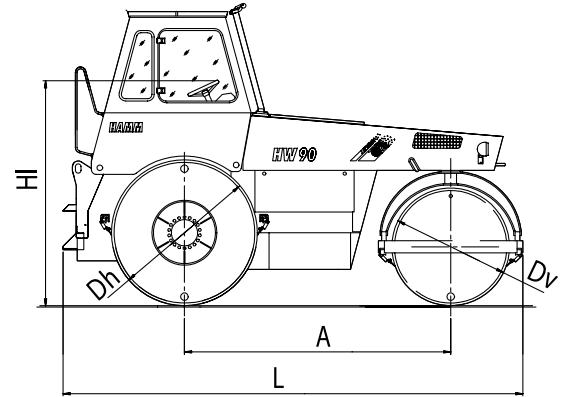
Equipment
Spring suspended driving position. 2 comfort seats. 2 drive levers. Automatic engine starter locking device. Instrument panel with all necessary control instruments incl. hour meter. Light equipment according to German Road Regulation. CE-conformity.

Optional

Fully isolated comfort ROPS cabin, windshield wiper front and rear, inside mirror, electric fan, sun shades. Heating, flashing beacon, ROPS, safety belt, speedometer, sound insulation, edge pressing and cutting equipment, split rear axle, hydraulic differential lock. Special paint. Coco mats.

Further data on request / subject to change

HW 90B/10 - Static three-wheel roller
HW 90B/12 - Static three-wheel roller



| | | HW 90B/10 | HW 90B/12 |
|----------------------|----|-----------|-----------|
| Total length | L | 4890 | 4890 |
| Width | B | 2020 | 2020 |
| Total height | H | 3220 | 3220 |
| Wheel base | A | 2830 | 2830 |
| Drum width, front | Xv | 1100 | 1100 |
| Drum diameter, front | Dv | 1250 | 1250 |
| Drum width, rear | Xh | 610 | 610 |
| Drum diameter, rear | Dh | 1550 | 1550 |
| Height loading, min. | HI | 2400 | 2400 |