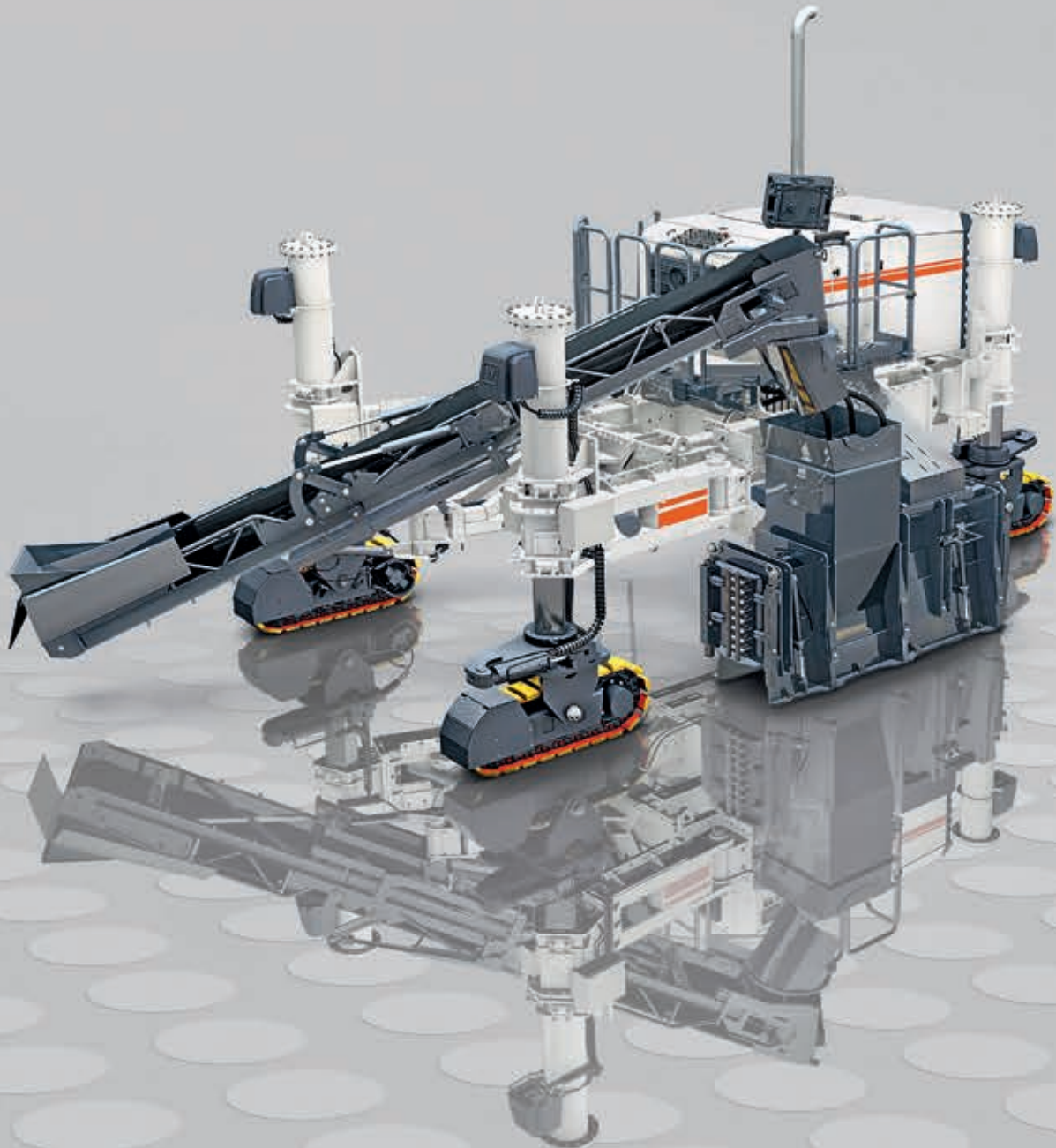


The new benchmark for perfection in concrete paving.

Slipform Pavers

SP 61 | SP 61i



At a glance: outstanding features of the new SP 61 / SP 61i

02
03

Highlights in concrete paving

1 | EXCEPTIONAL FLEXIBILITY IN CONCRETE PAVING

The slipform paver achieves perfection in the highly precise paving of both small and large poured-in-place offset profiles at standard heights of up to 2.2 m or standard widths of up to 3.0 m.

2 | TRIED-AND-TESTED OFFSET PAVING MOULDS

A wide variety of tried-and-tested standard profile moulds is on offer which are suitable for mounting on the left or right side of the paver. Special paving moulds can be built to customer specifications.

3 | FLEXIBILITY IN CONCRETE FEEDING

High-performance concrete feeding systems are available in auger conveyor, belt conveyor or folding belt conveyor design. All systems offer numerous adjustment options.

4 | OPTIONS IN CONCRETE COMPACTION

Depending on customer requirements, the paver can be equipped with a hydraulic or electric vibrator drive.

5 | PERFECT PREPARATION OF THE BASE

The use of a trimmer unit offering flexible adjustment options creates an even base to ensure uniform profile paving.

Highlights in engine technology and operation

6 | EFFICIENT ENGINE MANAGEMENT

The ECO MODE feature automatically adjusts the engine output to the current performance requirements, thus ensuring reduced diesel consumption and low noise emission levels.

7 | STATE-OF-THE-ART ENGINE TECHNOLOGY

The SP 61 features state-of-the-art, high-performance engine technology (155 kW/208 HP/211 PS) complying with exhaust emission standards EU Stage 3a/US Tier 3. The SP 61i features state-of-the-art, high-performance engine technology (180 kW/241 HP/245 PS) complying with exhaust emission standards EU Stage 4/US Tier 4f.

8 | PERFECT ERGONOMIC DESIGN AND HANDLING

Relaxed working is ensured by the ergonomically designed workplace offering a user-friendly operating concept and perfect visibility.

Highlights in machine control

9 | HIGHLY PRECISE STEERING AND DRIVE SYSTEMS

Intelligent control systems for exceedingly quiet operation and the responsive skid steering system guarantee precision in concrete paving.



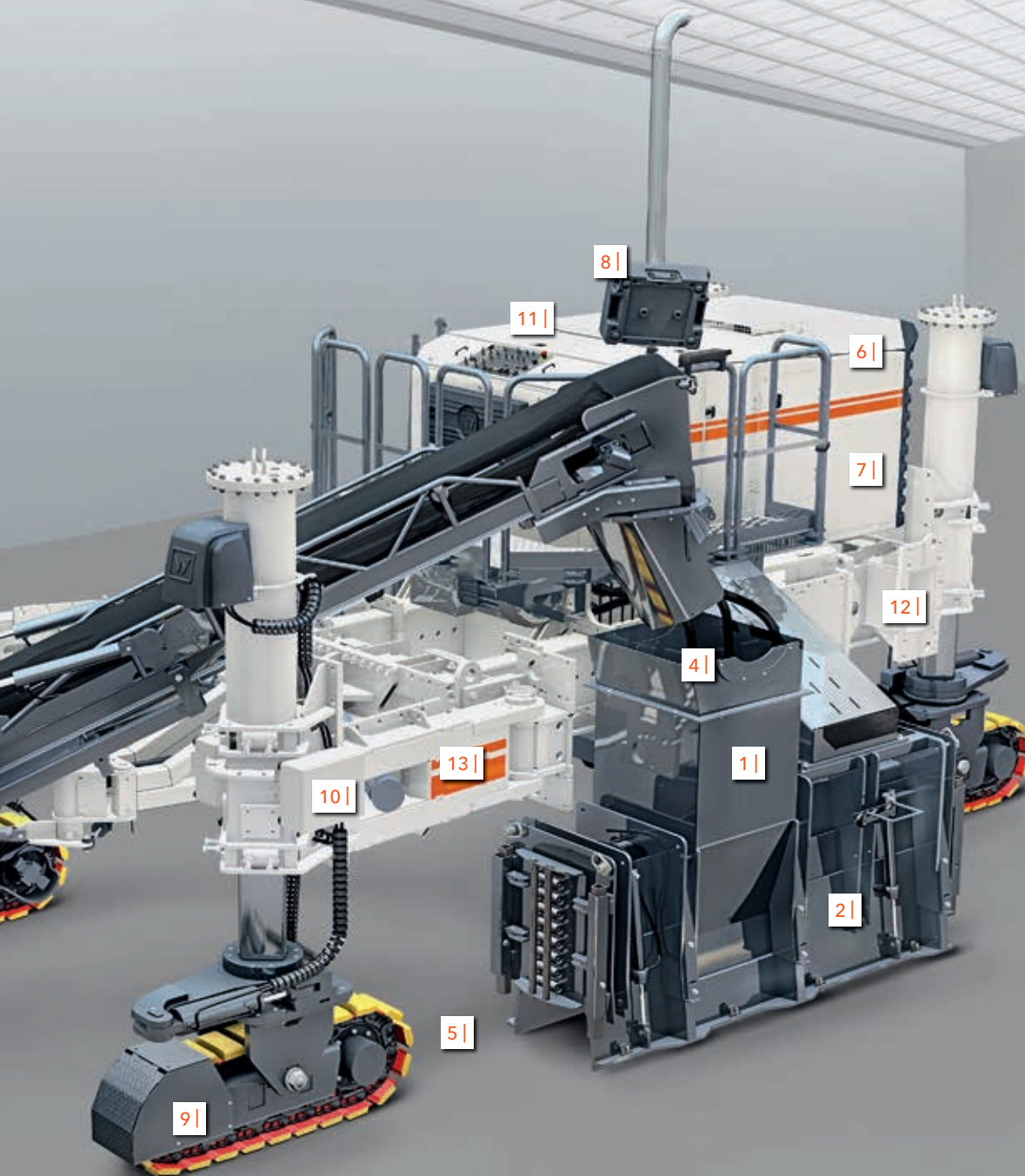
Highlights in modular design

12 | FULLY MODULAR MACHINE DESIGN

The paver's fully modular design is synonymous with flexible modification, easy retrofitting of customer options and application-specific adjustment to site conditions. It is even possible to convert the paver to the inset configuration of the SP 64/SP 64i.

13 | INTELLIGENT TRANSPORT CONCEPT

Compact dimensions, optional folding belt conveyor and minimum modification requirements ensure ease of loading and cost-effective transport. The paver's hydraulically operated pivoting legs are a major contributor to reducing the effort required for machine setup on site.



10 | MACHINE CONTROL SYSTEMS FEATURING ADVANCED INTELLIGENCE

The standardized interface for quick, targeted service diagnostics and the state-of-the-art WITOS telematics system increase efficiency in everyday operation.

11 | FIELD-PROVEN 3D INTERFACE

The field-proven interface guarantees tested compatibility with the 3D control systems of leading suppliers.

Technical specification

	SP 61	SP 61i
Range of applications	offset	
Concrete feeding		
Belt conveyor	length: 5,900 mm, belt width: 600 mm	
Belt conveyor, folding design (option)	length: 6,000 mm, belt width: 600 mm	
Auger conveyor, short (option)	length: 4,600 mm, belt width: 400 mm	
Auger conveyor, long (option)	length: 5,700 mm, belt width: 400 mm	
Discharge chute	steel or rubber design	
Concrete mould		
Arrangement	left/right	
Height adjustment of mould (option)	400 mm	
Max. mould height	2,200 mm*1	
Max. mould width	3,000 mm*1	
Vibrators and circuits		
Hydraulic vibration	6 connections (optional: 12 connections)	
Electric vibration	18 connections	
Hydraulically driven vibrators	straight (D66)	
Electrically driven vibrators	straight (D76)	
Trimmer (optional)		
Basic width	600 mm	
Max. width	1,600 mm*2	
Trimming depth	0 to 150 mm	
Drum diameter with tools	500 mm	
Height adjustment, hydraulic	400 mm	
Height adjustment, mechanical	300 mm	
Two-stage lateral telescoping feature	1,300 mm	
Engine		
Engine manufacturer	Deutz	Deutz
Type	TCD 2012 L06 2V	TCD6.1 L6
Cooling	water	water
Number of cylinders	6	6
Rated power	at 2,300 min ⁻¹ 155 kW/208 HP/211 PS	at 2,100 min ⁻¹ 180 kW/241 HP/245 PS
Displacement	6,057 cm ³	6,057 cm ³
Fuel consumption, full load	42 l/h	46 l/h
Fuel consumption, 2/3 load	17 l/h	18 l/h
Emission standards	EU Stage 3a/US Tier 3	EU Stage 4/US Tier 4f

*1 = Please consult factory for different offset geometries or special applications

*2 = Please consult factory for special custom widths

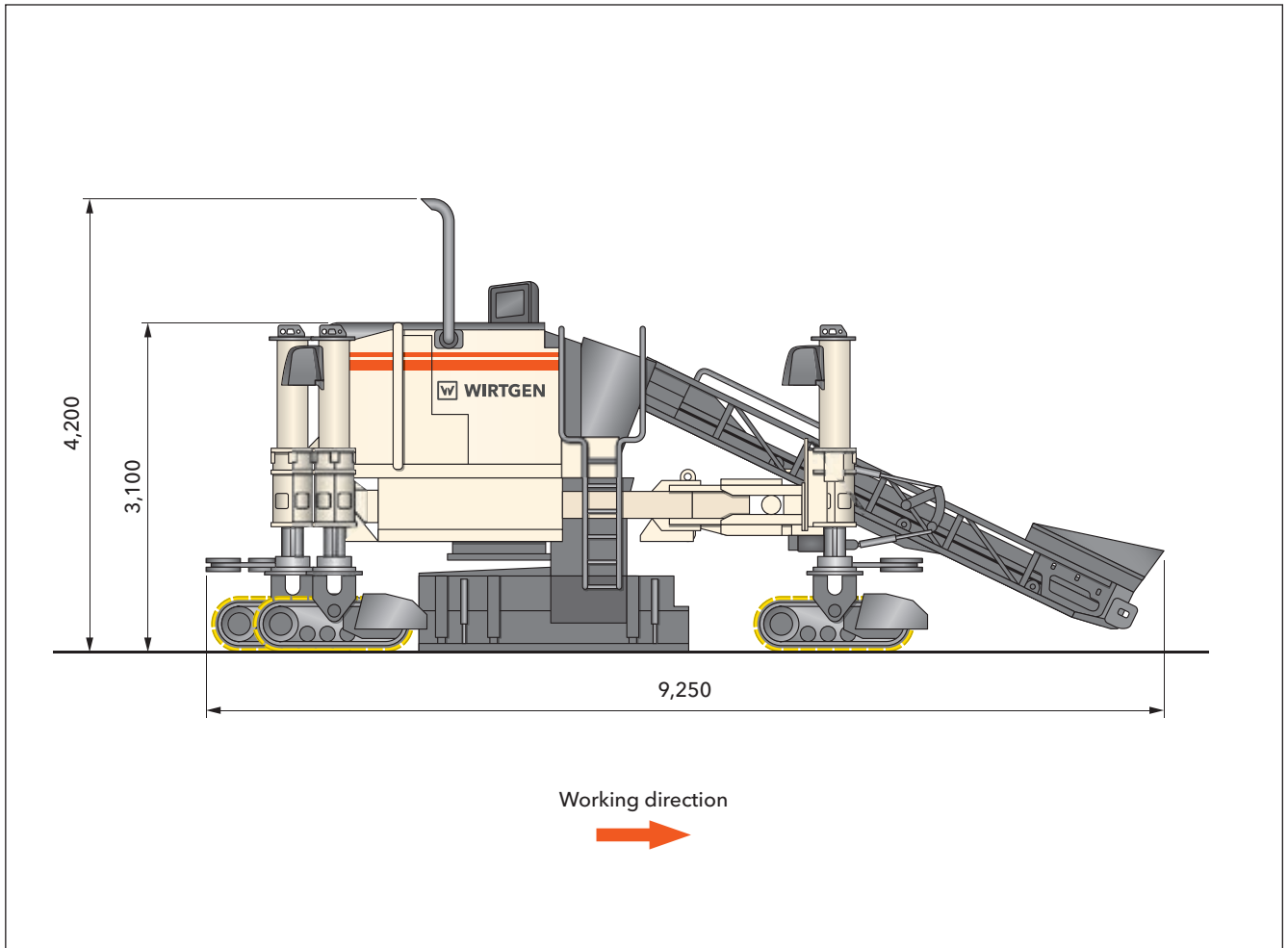
	SP 61	SP 61i
Electrical system		
Electrical power supply	24 VDC	
Electric vibration	110 V AC 3~/200 Hz	
Filling capacities		
Fuel tank	400 l	400 l
Adblue®/DEF tank	-	32 l
Hydraulic oil tank, electric vibration	200 l	200 l
Hydraulic oil tank, hydraulic vibration	400 l	400 l
Water tank	500 l + 500 l	500 l + 500 l
Driving properties		
Paving speed	B0: 0 to 6 m/min	
Travel speed in travel gear	B0: 0 to 21 m/min	
Crawler units		
Number	3 or 4	
Type B0: dimensions (L x W x H)	1,590 x 300 x 570 mm	
Height adjustment		
Hydraulic	1,100 mm	
Mechanical (hole pattern)	400 mm	
Machine weights*³		
Operating weight, CE* ⁴ of basic machine including belt conveyor	15,500 to 25,600 kg	
Trimmer, working width 600 mm	1,300 kg	
Belt conveyor	850 kg	
Belt conveyor in folding design	920 kg	
Auger conveyor	1,300 kg	

*³ = Weights depend on the machine's range of equipment and working width

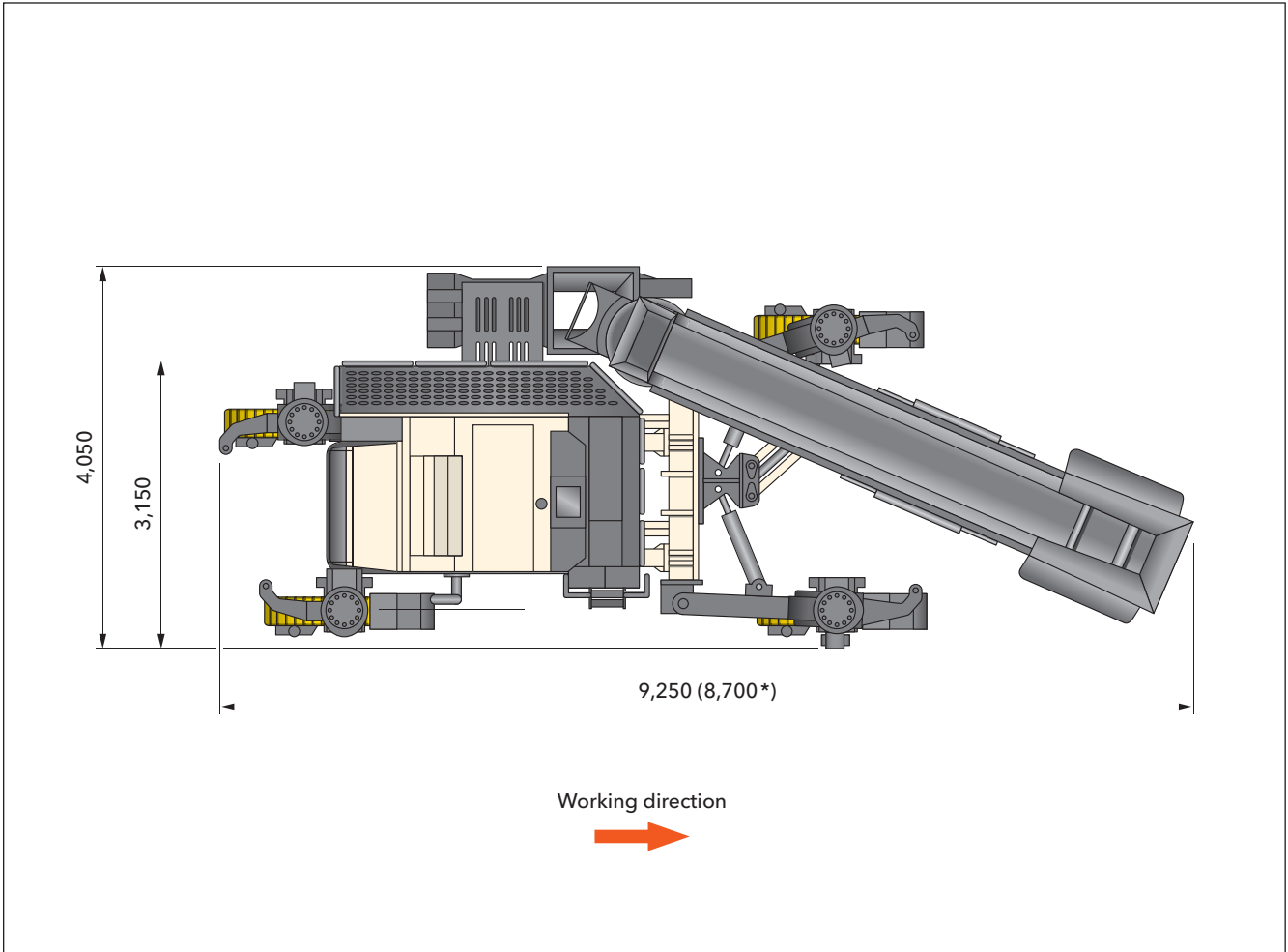
*⁴ = Weight of machine with half-full water tank, half-full fuel tank, driver (75 kg) and on-board tools

Dimensions

06
07



Dimensions in mm



Dimensions in mm

* = Option: belt conveyor in folding design

Standard equipment

	SP 61	SP 61i
Base machine		
Cooling system with temperature-controlled fan speed	■	■
Electrical system 24 V	■	■
Fuel tank 400 l	■	■
Hydraulic system with an adequately sized hydraulic oil tank and a pump splitter gearbox with 2 output shafts and the pumps required for the basic equipment of the machine.	■	■
Main frame and height adjustment		
With a large number of fixation points, the chassis is prepared for modular supplementing with various machine functions	■	■
Robust steel frame, telescoping in stages by total 875 mm on both sides to the front and to the rear; can be optionally extended by fixed extension pieces	■	■
It is possible to connect offset paving moulds to the left or right side of the machine	■	■
Chassis components for step-by-step mechanical telescoping by 0.875 m	□	□
Crawler unit and crawler unit connections		
Paving speed: crawler unit type B0: 0 to 6 m/min	■	■
Travelling speed: crawler unit type B0: 0 to 21 m/min	■	■
Three levelling hydraulic cylinders with 1,100 mm stroke	■	■
Three crawler unit tracks type B0 with steel triple grousers	□	□
Version with one manually slewing front crawler unit connection	□	□
Machine control and levelling and steering		
WI-CONTROL - the high-quality control for optimum interaction between all machine functions	■	■
Fault messages are shown on the machine display	■	■
The existing CAN bus system can be expanded for the specific customer	■	■
Eco mode: Engine management optimised acc. to demand for reduced diesel consumption and low noise emissions	■	■
Proportional electrohydraulic levelling and steering by PLC system including 4 levelling sensors and 2 steering sensors	■	■
Sensor mountings adjustable in height and range	■	■
Optimum lateral tilt control by Smooth-Slope	■	■
Automated recognition of the particular machine configuration enables simple orientation for the operator	■	■
Cylinder steering for machine equipped with 3 crawler units type B0	□	□

- = Standard equipment
- ▣ = Standard equipment, replaceable with optional equipment
- = Optional equipment

	SP 61	SP 61 i
Vibration		
Hydraulic vibrator drive offset for max. 6 vibrators	<input type="checkbox"/>	<input type="checkbox"/>
2x straight vibrators D66, hydraulically driven	<input type="checkbox"/>	<input type="checkbox"/>
Concrete spreading for offset paving		
Belt conveyor 5.90 m x 0.60 m with reversible hydraulic drive, hydraulically adjustable	<input type="checkbox"/>	<input type="checkbox"/>
Steel chute	<input type="checkbox"/>	<input type="checkbox"/>
Operator's stand		
Ergonomic operator's stand with optimum view of the paving process	<input checked="" type="checkbox"/>	<input checked="" type="checkbox"/>
Control panel 1 for setting up the machine according to the field	<input checked="" type="checkbox"/>	<input checked="" type="checkbox"/>
Control panel 2 with multi-function control display, providing a menu for the operator giving all necessary machine parameters and allowing settings to be made. This can be adapted to all travel directions and paving configurations	<input checked="" type="checkbox"/>	<input checked="" type="checkbox"/>
Ergonomic operation on two control panels with clear language-independent symbols	<input checked="" type="checkbox"/>	<input checked="" type="checkbox"/>
One of the control panels can be stored in the engine station; the second control panel be protected against vandalism and weather using lockable covers	<input checked="" type="checkbox"/>	<input checked="" type="checkbox"/>
Concrete equipment for offset paving		
Offset paving mould up to 0.60 m wide (max. 0.40 m tall) (Note form TEI#2170960)	<input type="checkbox"/>	<input type="checkbox"/>
Others		
Machine preparation for installing the control unit for WITOS FleetView. "WIRTGEN Road Technologies Telematics and on-site Solutions" (WITOS) is the intelligent telematics system of the WIRTGEN Road Technologies for efficient fleet and service management worldwide.	—	<input checked="" type="checkbox"/>
Large tool package in lockable tool box	<input checked="" type="checkbox"/>	<input checked="" type="checkbox"/>
Extensive safety package with EMERGENCY STOP switches	<input checked="" type="checkbox"/>	<input checked="" type="checkbox"/>
Filling of the machine hydraulics with mineral hydraulic oil	<input checked="" type="checkbox"/>	<input checked="" type="checkbox"/>
Paint standard cream white RAL 9001	<input type="checkbox"/>	<input type="checkbox"/>
Lighting package with 3 halogen spotlights, 24 V	<input type="checkbox"/>	<input type="checkbox"/>

- = Standard equipment
- = Standard equipment, replaceable with optional equipment
- = Optional equipment

Optional equipment

	SP 61	SP 61i
Main frame and height adjustment		
Chassis components for continuous hydraulic telescoping by 1.75 m	<input type="checkbox"/>	<input type="checkbox"/>
Crawler unit and crawler unit connections		
Three crawler unit tracks type B0 with polyurethane track pads	<input type="checkbox"/>	<input type="checkbox"/>
Version with four crawler units type B0 with 1,000 mm height adjustment, 300 mm wide	<input type="checkbox"/>	<input type="checkbox"/>
Version with four crawler unit tracks type B0 with polyurethane track pads	<input type="checkbox"/>	<input type="checkbox"/>
Version with two manually slewing front crawler unit connections	<input type="checkbox"/>	<input type="checkbox"/>
Version with one hydraulically slewing front crawler unit connection	<input type="checkbox"/>	<input type="checkbox"/>
Version with two hydraulically slewing front crawler unit connections	<input type="checkbox"/>	<input type="checkbox"/>
Machine control and levelling and steering		
Cylinder steering for machine equipped with 4 crawler units type B0	<input type="checkbox"/>	<input type="checkbox"/>
Slab tracer, 2 pcs	<input type="checkbox"/>	<input type="checkbox"/>
Slab tracer, 4 pcs	<input type="checkbox"/>	<input type="checkbox"/>
Control unit for manual crawler unit steering	<input type="checkbox"/>	<input type="checkbox"/>
Pre-equipment for 3D levelling	<input type="checkbox"/>	<input type="checkbox"/>
Vibration		
Hydraulic vibrator drive offset for max. 12 vibrators	<input type="checkbox"/>	<input type="checkbox"/>
Electric vibrator drive with 40 kVA generator for max. 18 vibrators	<input type="checkbox"/>	<input type="checkbox"/>
2x straight vibrators D66, electrically driven	<input type="checkbox"/>	<input type="checkbox"/>
Straight vibrator D66, hydraulically driven	<input type="checkbox"/>	<input type="checkbox"/>
Straight vibrator D66, electrically driven	<input type="checkbox"/>	<input type="checkbox"/>
Concrete spreading for offset paving		
Belt conveyor 6.00 m x 0.60 m, folding, with reversible hydraulic drive, hydraulically adjustable	<input type="checkbox"/>	<input type="checkbox"/>
Auger conveyor 4.60 m x 0.40 m with reversible hydraulic drive, hydraulically adjustable	<input type="checkbox"/>	<input type="checkbox"/>
Auger conveyor 5.70 m x 0.40 m with reversible hydraulic drive, hydraulically adjustable	<input type="checkbox"/>	<input type="checkbox"/>
Steel/rubber chute	<input type="checkbox"/>	<input type="checkbox"/>
Concrete equipment for offset paving		
Offset paving mould from 0.60 m to 1.20 m wide (max. 0.40 m tall). (Note form TEI#2170960)	<input type="checkbox"/>	<input type="checkbox"/>
Offset paving mould from 1.20 m to 1.80 m wide (max. 0.40 m tall). (Note form TEI#2170960)	<input type="checkbox"/>	<input type="checkbox"/>
Offset mould board up to 0.90 m tall (max. 0.60 m base width), incl. hopper. (Note form TEI#2170960)	<input type="checkbox"/>	<input type="checkbox"/>
Offset mould board up to 1.20 m tall (max. 0.60 m base width), incl. hopper. (Note form TEI#2170960)	<input type="checkbox"/>	<input type="checkbox"/>
Split offset paving mould up to 0.60 m wide (max. 0.40 m tall). (Note form TEI#2170960)	<input type="checkbox"/>	<input type="checkbox"/>
Split offset paving mould from 0.60 m to 1.20 m wide (max. 0.40 m tall). (Note form TEI#2170960)	<input type="checkbox"/>	<input type="checkbox"/>

- = Standard equipment
- = Standard equipment, replaceable with optional equipment
- = Optional equipment

	SP 61	SP 61i
Offset trimmer		
Trimmer, basic width, 0.60 m, left-hand mounting	<input type="checkbox"/>	<input type="checkbox"/>
Trimmer - extension, 0.20 m wide, left-hand mounting	<input type="checkbox"/>	<input type="checkbox"/>
Trimmer - extension, 0.40 m wide, left-hand mounting	<input type="checkbox"/>	<input type="checkbox"/>
Trimmer, basic width, 0.60 m, right-hand mounting	<input type="checkbox"/>	<input type="checkbox"/>
Trimmer - extension, 0.20 m wide, right-hand mounting	<input type="checkbox"/>	<input type="checkbox"/>
Trimmer - extension, 0.40 m wide, right-hand mounting	<input type="checkbox"/>	<input type="checkbox"/>
Operator's stand		
Weather canopy for operator's stand, manually folding	<input type="checkbox"/>	<input type="checkbox"/>
Others		
Paint in one special colour (RAL)	<input type="checkbox"/>	<input type="checkbox"/>
Paint in two special colours (RAL)	<input type="checkbox"/>	<input type="checkbox"/>
Paint in maximum two special colours with substructure in special colour (RAL)	<input type="checkbox"/>	<input type="checkbox"/>
Lighting package with 4 halogen spotlights, 24 V	<input type="checkbox"/>	<input type="checkbox"/>
High-performance lighting package with 6 LED spotlights, 24 V	<input type="checkbox"/>	<input type="checkbox"/>
High-performance lighting package with 8 LED spotlights, 24 V	<input type="checkbox"/>	<input type="checkbox"/>
Hydraulic high-pressure water cleaner unit, 500 l steel tank	<input type="checkbox"/>	<input type="checkbox"/>
Additional electrical water pump 24 V with 10.00 m hose and spray gun with handle	<input type="checkbox"/>	<input type="checkbox"/>
Additional water tank steel, 500 l additionally	<input type="checkbox"/>	<input type="checkbox"/>
Self-levelling for transporting	<input type="checkbox"/>	<input type="checkbox"/>
Rotary beacon halogen 24 V with magnet base	<input type="checkbox"/>	<input type="checkbox"/>
Flashing light 24 V with magnet base	<input type="checkbox"/>	<input type="checkbox"/>
Paving Plus package	<input type="checkbox"/>	<input type="checkbox"/>
Additional control unit for setting the crawler units	<input type="checkbox"/>	<input type="checkbox"/>
Wire tensioning system, complete with 1,000 m steel wire	<input type="checkbox"/>	<input type="checkbox"/>
Second tensioning winch for levelling the machine using two wire ropes	<input type="checkbox"/>	<input type="checkbox"/>
Wire tensioning system, complete with 4x 300 m nylon rope	<input type="checkbox"/>	<input type="checkbox"/>
Radius kit, fibreglass rod as guide wire replacement on corners with different radii	<input type="checkbox"/>	<input type="checkbox"/>
WITOS FleetView telematics system incl. 3-year operating period	-	<input type="checkbox"/>
Daily rate for startup	<input type="checkbox"/>	<input type="checkbox"/>
Export packing	<input type="checkbox"/>	<input type="checkbox"/>

= Standard equipment
 = Standard equipment, replaceable with optional equipment
 = Optional equipment



WIRTGEN GmbH

Reinhard-Wirtgen-Str. 2 · 53578 Windhagen · Germany
Phone: +49 (0)26 45/131-0 · Fax: +49 (0)26 45/131-392
Internet: www.wirtgen.com · E-Mail: info@wirtgen.com